



Congratulations on the purchase of your new Creek Side Poly Lumber Adirondack Chair. You will soon be sitting back and relaxing in the comfort of this classic chair when you follow these easy step-by-step instructions.

Important

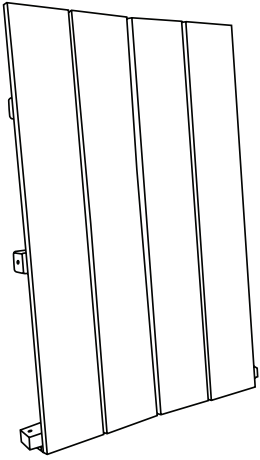
Please Read All Instructions Carefully Before Assembling This Product

- Inspect all parts to make sure that nothing is broken or missing. If something is broken or missing, please contact our service department at support@eccboutdoor.com.
- The chair must be completely assembled before attempting to use it. Failure to do so could result in damage to the chair or the user.
- Use proper safety gear and follow appropriate safety precautions when assembling this product.
- **Important - Do not overtighten the screws.**
- Only hand tools should be used for assembly. Do not use power tools.
- ECCB Outdoor will not be liable for any injury or damage resulting from improper assembly and/or use of this product.
- Failure to follow all instructions will result in the product warranty being voided.

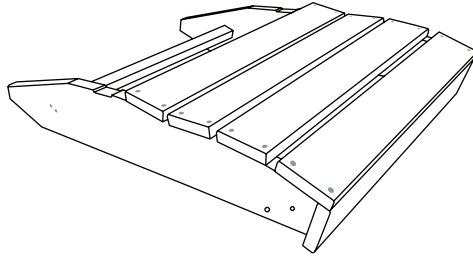
Parts

Make sure you have received everything. If anything is missing or damaged, please contact our service department at support@eccboutdoor.com.

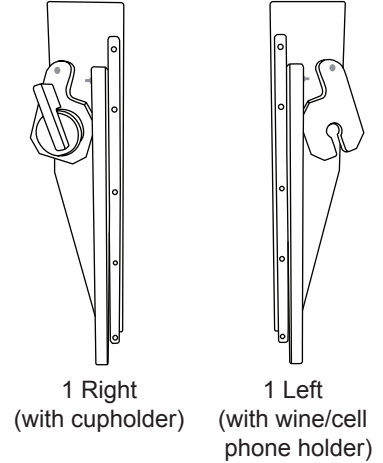
A Back - 1 piece



B Seat - 1 piece



C Arms - 2 pieces



Hardware - Shown at Actual Size

D 2.5" Bolts - 4 pieces



G 2" Lag Screws - 2 pieces



E Washers - 4 pieces



F Nuts - 4 pieces



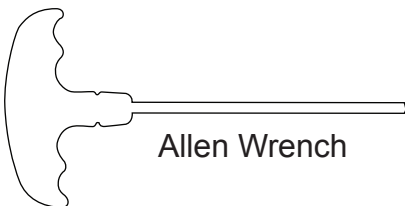
H 3.5" Lag Screws - 2 pieces



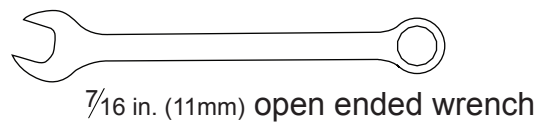
Important: When attaching the nuts, ALWAYS start with the metal part screwing onto the bolt/screw. Starting with the plastic part will not work and may cause the chair not to be properly assembled. See illustration to the right.



Tools - Provided



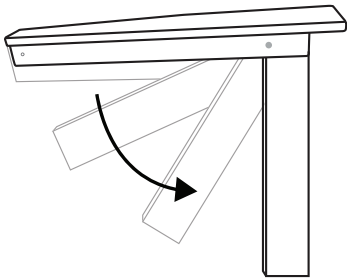
Tools - Not Included



Let's Get Started!

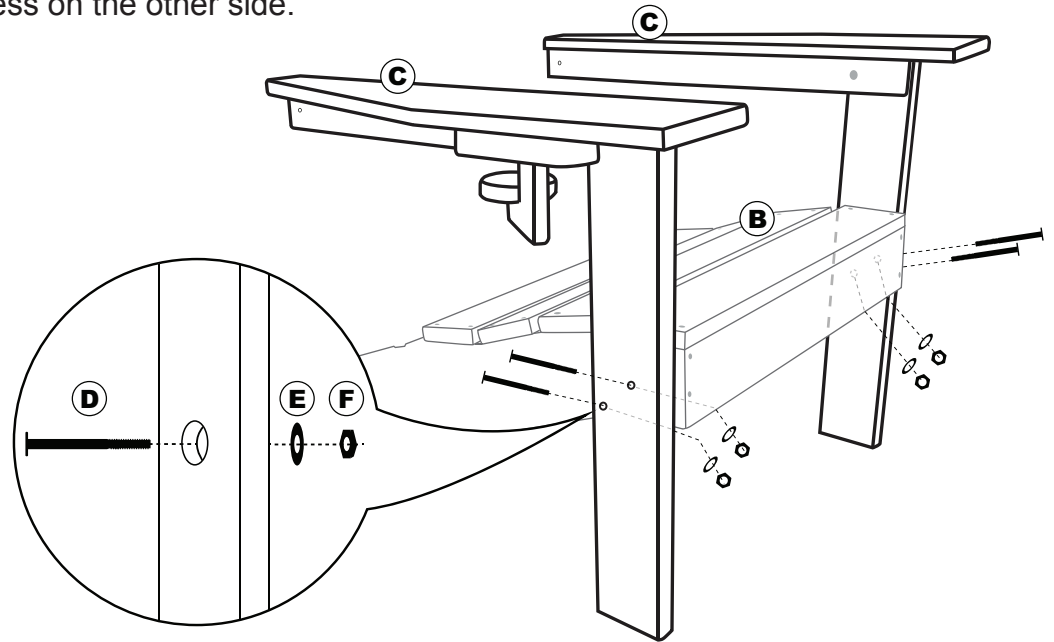
Step 1 - Attach the Arms to the Seat

- Open arm (C) to a 90° angle to create the bracing.
- Turn seat (B) on its side.
- Attach the arm (C) to the seat (B) with 2 bolts (D) into the pre-drilled holes on the outside, and a washer (E) and nut (F). You will need the Allen wrench and open-ended wrench for this step.
- You will need to repeat this process on the other side.



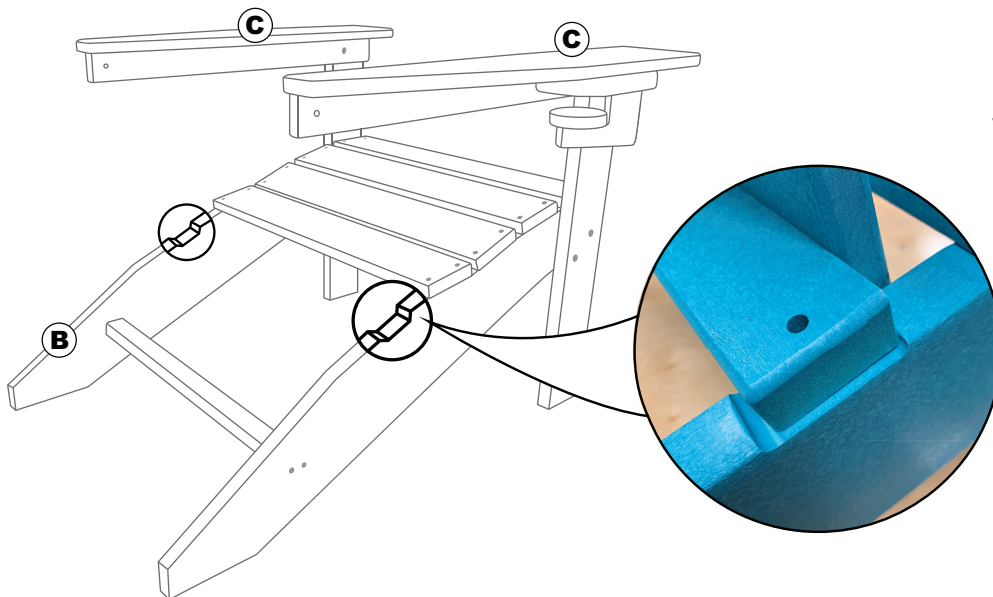
Tip

Make sure the arm's cup holders are on the outside when you attach them to the seat.



Step 2 - Align the Back with the Arms/Seat

- Line up the bottom of the back (A) with the grooves on the back of the seat (B) and the pre-drilled holes of the arms (C).

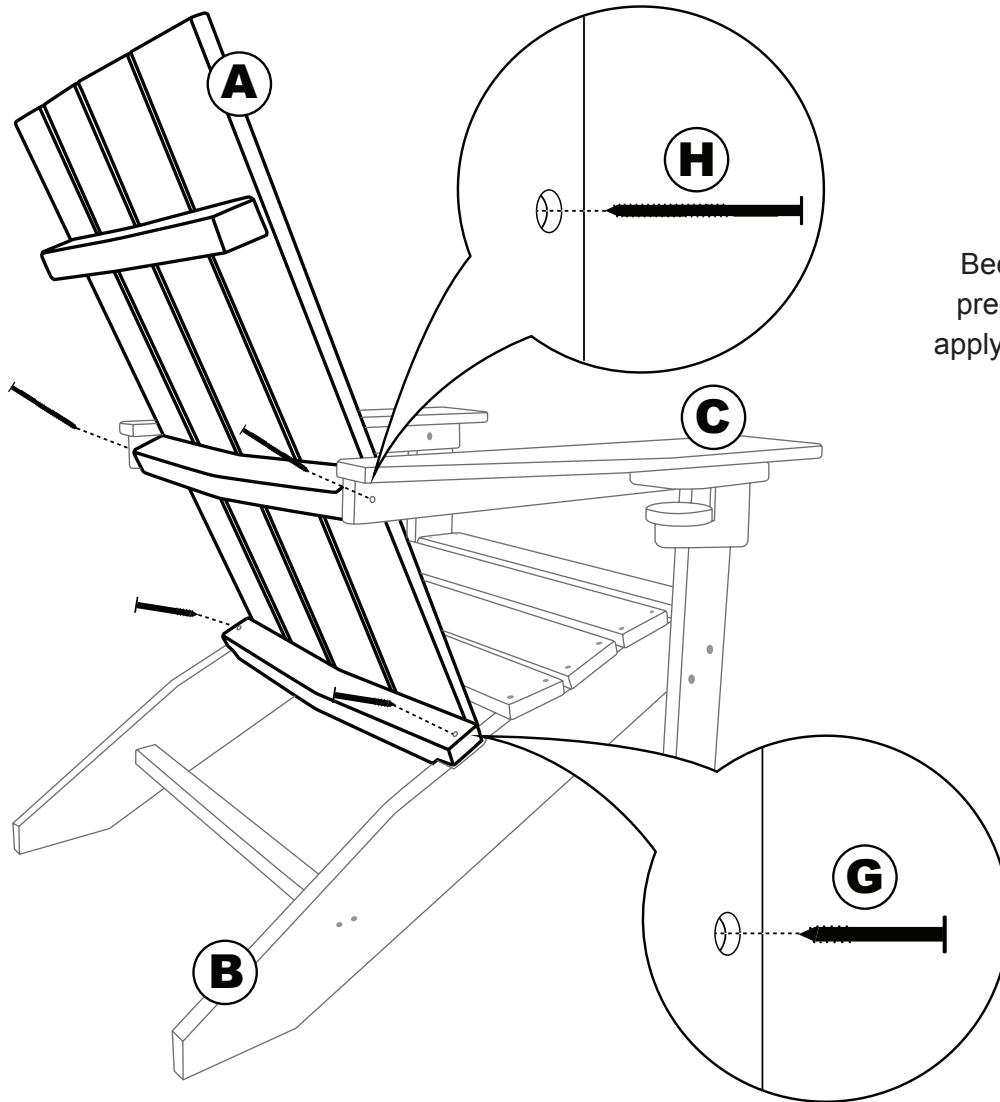


Tip

The arms will not stand out straight without the back frame's support.

Step 3 - Attach the Back

- Attach the arms (C) to the back (A) using the 3.5" lag screws (H) in the pre-drilled holes, and tighten with the Allen wrench.
- Then attach the back (A) to the seat (B) by placing the 2" lag screws into the pre-drilled holes on the back.



Tip

Because the seat does not have pre-drilled holes, you will need to apply more pressure when attaching the 2" lag screws.

Care

Poly lumber is easy to clean and maintain. Dust with a soft cloth or soft bristle brush, and tend to spills and stains with a mild soap and water. No waterproofing, no staining, and no painting is ever required! **IMPORTANT!** Periodically check to make sure that all screws are properly tightened.

That's all there is to it and now you have a comfortable chair that we hope you will enjoy.
Thank you for your business!